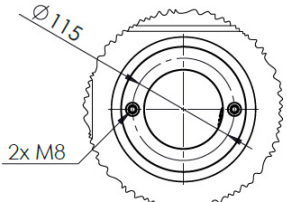

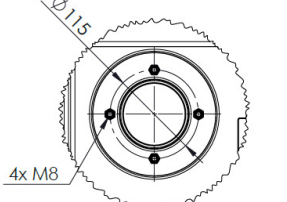
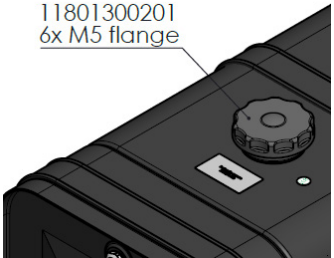


Refresh tank range EASY

In order to allow the mounting of the new adjustable return filters also on this range and to standardise the type of their flange called F4 (4xM8 on $\varnothing 115$) already present on many other types of tanks, it was decided to update the technical equipment of some models of the EASY range as shown below.

We took the opportunity to update the air breather to the current needs of the systems.

ERA	BECOMES
<p>• Flange replacement</p>  <p>• Replacement of air breather from steel to plastic</p>  <p>11800500078 welded cap</p>	  <p>11801300201 6x M5 flange</p>

The old codes are placed at the end of the series until the stocks are completely exhausted. The transition times will therefore vary depending on the model.

The following pages indicate, for each family, the current codes and the new codes.

ERA **BECOMES**

• Fam. 04 (200x370)



COATED STEEL		
Filling capacity	Tank code	Weight
		Kg
21	H1GS0403260	9



COATED STEEL		
Filling capacity	Tank code	Weight
		Kg
21	H1GS0403261	9

Link:
[Data sheet](#)



COATED STEEL		
Filling capacity	Tank code	Weight
		Kg
35	H1GS0405260	13,5



COATED STEEL		
Filling capacity	Tank code	Weight
		Kg
21	H1GS0405261	13,5

Link:
[Data sheet](#)

• Fam. 11 (240x360)

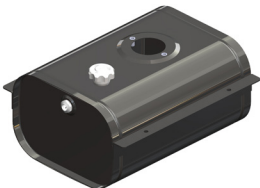


COATED STEEL		
Filling capacity	Tank code	Weight
		Kg
40	H1GS1105060	12,2



COATED STEEL		
Filling capacity	Tank code	Weight
		Kg
40	H1GS1105064	12,2

Link:
[Data sheet](#)



COATED STEEL		
Filling capacity	Tank code	Weight
		Kg
40	H1GS1105063	15



COATED STEEL		
Filling capacity	Tank code	Weight
		Kg
40	H1GS1105065	15

Link:
[Data sheet](#)

ERA

BECOMES

• Fam. 17 (290x360)



COATED STEEL		
Filling capacity	Tank code	Weight
45	H1GS1705060	Kg 15



COATED STEEL		
Filling capacity	Tank code	Weight
45	H1GS1705061	Kg 15



Link: [Data sheet](#)



COATED STEEL		
Filling capacity	Tank code	Weight
60	H1GS1706460	Kg 16,5



COATED STEEL		
Filling capacity	Tank code	Weight
60	H1GS1706461	Kg 16,5



Link: [Data sheet](#)

• Fam. 23 (310x380)



COATED STEEL		
Filling capacity	Tank code	Weight
40	H1GS2304060	Kg 13,5



COATED STEEL		
Filling capacity	Tank code	Weight
40	H1GS2304061	Kg 13,5



Link: [Data sheet](#)






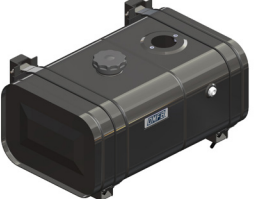





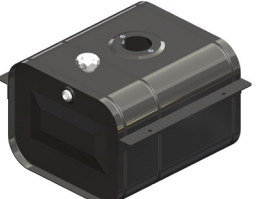


COATED STEEL		
Filling capacity	Tank code	Weight
50	H1GS2305060	Kg 16



COATED STEEL		
Filling capacity	Tank code	Weight
50	H1GS2305062	Kg 16



Link: [Data sheet](#)

ERA		BECOMES	
• Fam. 24 (320x460)			
	COATED STEEL		
	Filling capacity	Tank code	
65	H1GS2405060	17	65
			 Link: Data sheet
	COATED STEEL		
	Filling capacity	Tank code	
100	H1GL2407520	34	100
			 Link: Data sheet
	COATED STEEL		
	Filling capacity	Tank code	
100	H1GS2407571	24	100
			 Link: Data sheet
• Fam. 50 (350x450)			
	COATED STEEL		
	Filling capacity	Tank code	
70	H1GS5005060	18	70
			 Link: Data sheet